

Z520 9" ADJUSTABLE HEAVY-DUTY DRAIN



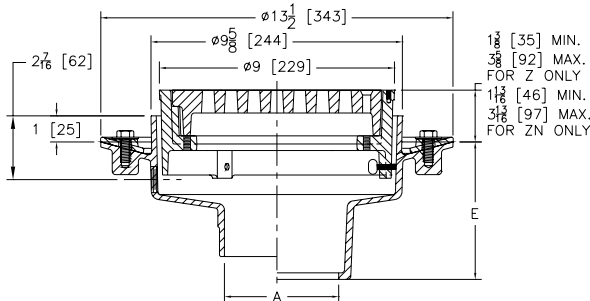
ENGINEERING SPECIFICATION

Zurn Z520 9" diameter top drain features Dura-Coated cast iron body with bottom outlet, seepage pan with clamping collar, and adjustable extension frame with heavy-duty, cast iron, deep flange, slotted grate.

NOTES

†Add 5/8" to 9" dimension for ZN

A Pipe Size inch [mm]	Grate Open Area sq in [cm ²]	Approximate Weight lb [kg]
2 [51], 3 [76], 4 [102]	18 [116]	39 [18]
6 [152]		44 [20]



PREFIXES	DESCRIPTION	PIPE SIZE	LIST PRICE
Z520*	D.C.C.I. Body and Top	2", 3", 4"	827.00
		6"	1,138.00
ZN520	D.C.C.I. Body with Polished Nickel Bronze Top	2", 3", 4"	1,328.00
		6"	1,638.00

OUTLETS (SPECIFY PIPE SIZE IN INCHES AND TYPE OF OUTLET)				
OUTLET TYPE		PIPE SIZE/OUTLET TYPE	E BODY HT. DIM.	ADD
IP	Threaded	2IP, 3IP, 4IP	3-1/2"	80.00
NH	No-Hub	2NH, 3NH, 4NH, 6NH	4-1/4"	N/C
NL	Neo-Loc	2NL, 3NL, 4NL	4-3/8"	N/C

SUFFIXES			ADD
-C	Clamp Collar		N/C
-DG	Duresist Grate		194.00
-F	Extension Frame - 3-1/4" Min., 5-1/2" Max. Per Ext. (Specify Height Required)		148.00
-G	Galvanized Cast Iron		433.00
-HP	Heel-Proof Grate		N/C
-P	Trap Primer Connection		150.00
-S	Secondary Strainer		47.00
-SS	Stainless Mesh Liner for Bucket		244.00
-T	Square Top	Z	325.00
		ZN	404.00

Ⓢ	-TC	Neo-Loc Test Cap Gasket (2", 3", 4" NL Bottom Outlet Only)	24.00
	-TS	Top Secured with Slotted Screws	129.00
	-TSP	Trap Seal Protection Device (Size Matches Drain Outlet Selected, See Z1072)	POA
	-V	Backwater Valve (See Z1099)	-
	-VP	Vandal-Proof Secured Top	149.00
	-Y	Sediment Bucket	140.00
	-90	90° Side Outlet Body Assembly (See Z1042, IP x NH Only)	-

BEST SELLERS		LIST PRICE
Z520-3NH-Y		967.00
Z520-3NL		827.00
Z520-4NH		827.00
Z520-4NH-Y		967.00
Z520-4NL		827.00
Z520-4NL-G-VP		1,409.00
Z520-4NL-P		977.00
Z520-4NL-VP		976.00
Z520-4NL-Y		967.00

Supplied By:



877-903-7246

www.commercialplumbingsupply.com